

- Back**
- o Flat Cable Connectors SEK
 - o *har-mik®*
 - o D-Sub
 - o InduCom

- **Applications**

Product details

09 56 100 4701 **High density cable connector**

Gender	Female High Density
Termination	Crimp
Number of contacts	15
Flange	through hole 3.1 mm
Shell	tinned metal shell
Insulation material	PBTP
Contact configuration	contacts must be order separately
RoHS compliant	Yes

Inquiry

Available Downloads

Title	Format	
Data sheet	PDF	download
CAD data 2D	DXF	download

Product news

5

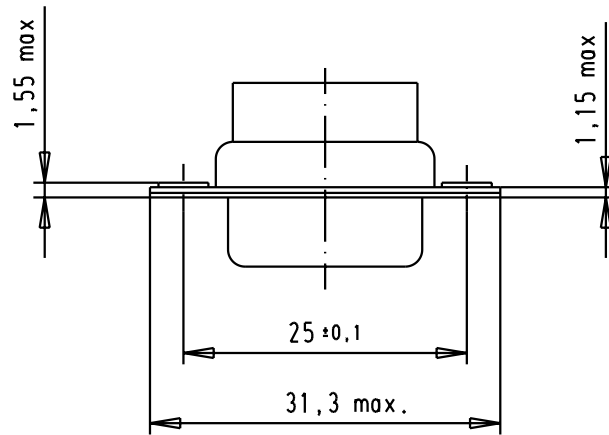
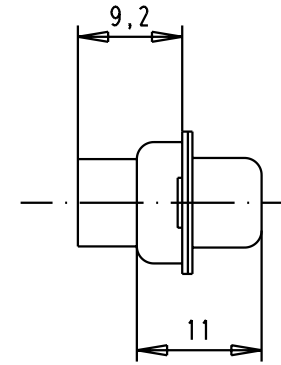
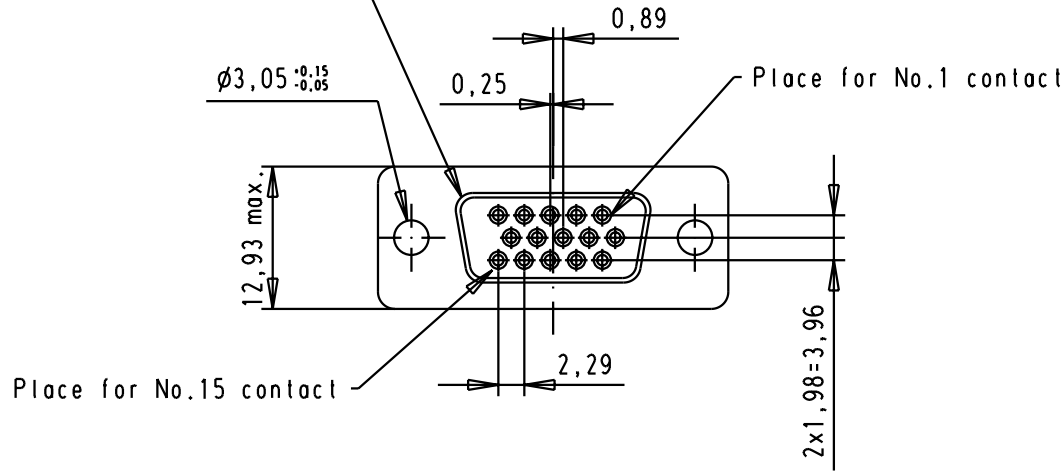
4

3

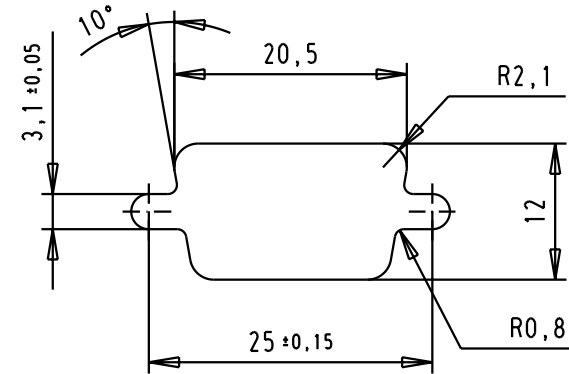
2



1

Mating face according to MIL-C-24308 / DIN 41 652 / CECC 75301-802



Panel cut out



				Det.	Name	 All Dim. in mm Orig. Size DIN A 4	D-Sub, female, high density, 15 poles, for crimp contacts	Maßstab/ Scale 1.5:1
			Detail.	16-SEP-02	CV			
			Insp.					
			Stand.					
	31064	16-SEP-02	CV	HARTING EURL F-95972 Paris			TB 09561004701	Blatt/ Page 1 /
	Mod.	Det.	Name					